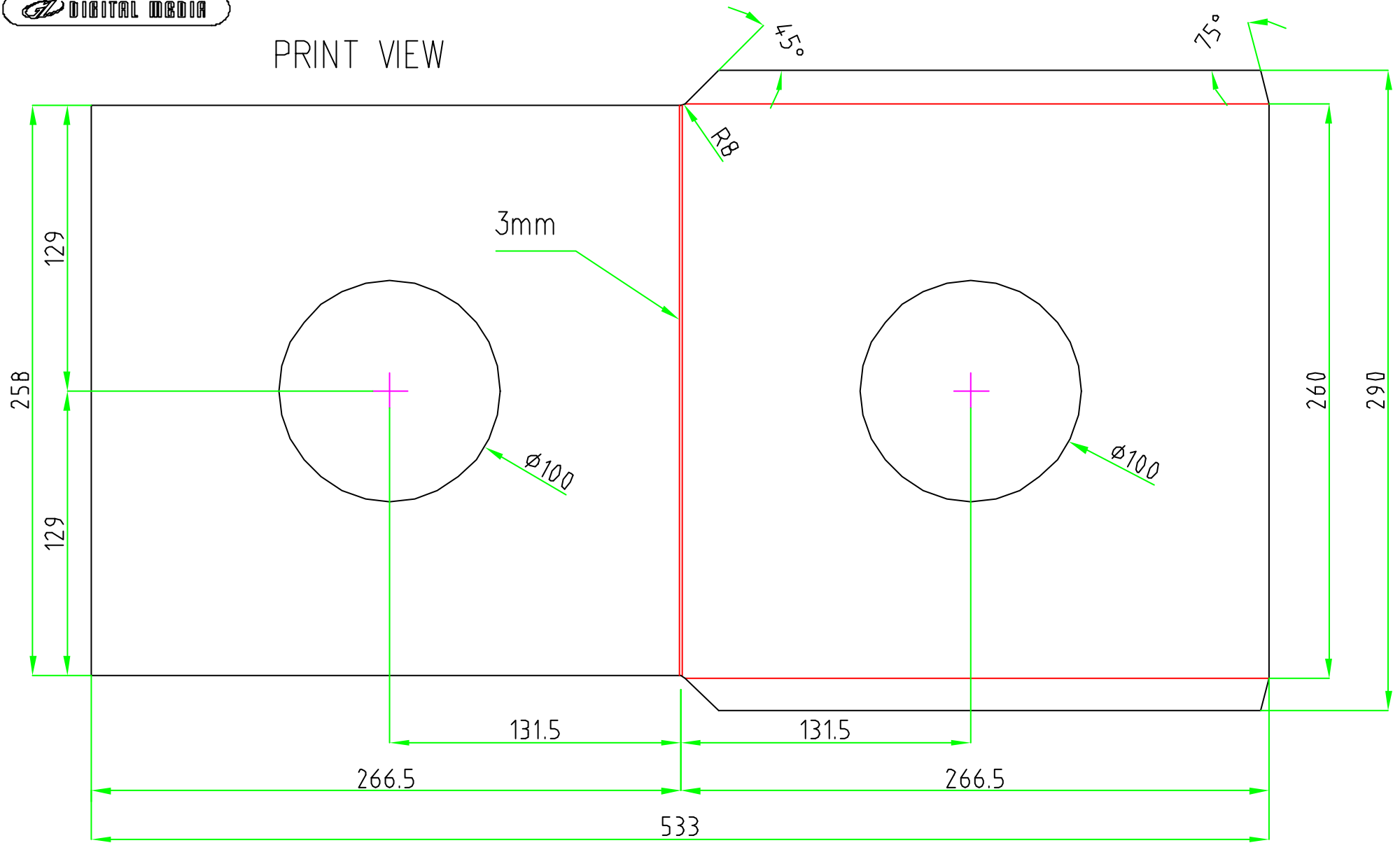


PRINT VIEW



Code description: 10" Cover, 3 mm Spine, 2 Centre holes	Mat: Cardboard	Addition for bleed 3mm	Line width:min. 0,1 mm	Code: LPOS03	standard print.Varnish LPOS0UV3...uv Varnish LPOS0L3...Laminate
	Paper weight: 280 gr White/white, White/grey	Colouring: CMYK+1	Screening: 150 Lpi		
	Font size:min.6 PT	Modification:Varnish,UV,lam			